

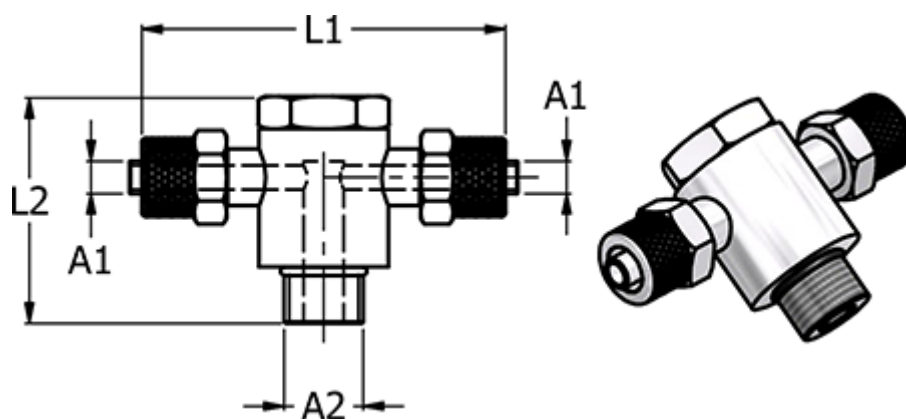
Data Sheet



Article number: 5861423810

Description: Push-on fitting 14.238-10, metal $\text{Ø}10/8\text{-G } 3/8\text{'-Ø}10/8$
Banjo Tee

Measures



| | |
|------------------|----------|
| Hose diameter A1 | = 10/8 |
| L1 | = 58.0 |
| L2 | = 37.0 |
| NV | = 20 |
| Thread A2 | = G 3/8" |